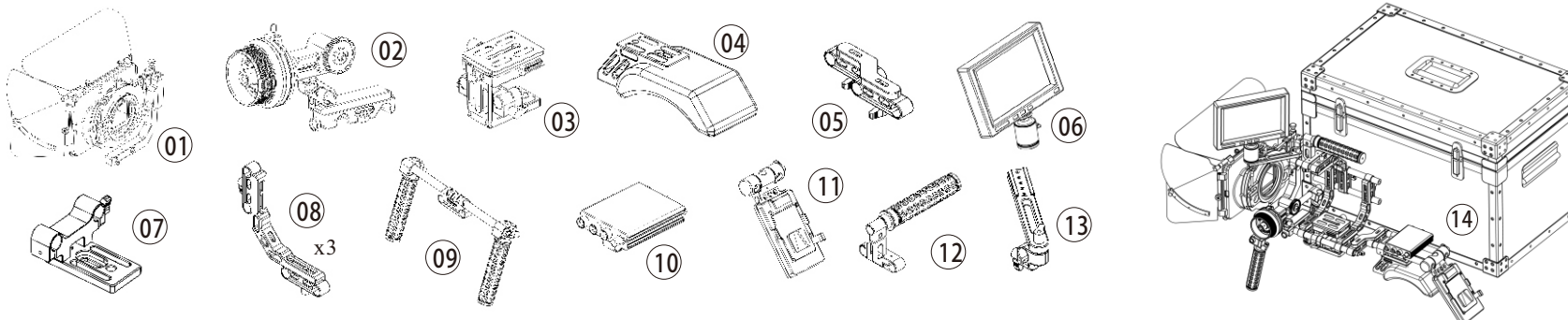


- ① Mattebox 301-0201
- ② Follow Focus 302-0203
- ③ Base Plate 303-0202
- ④ Shoulder Pad Unit 303-0201
- ⑤ “Z” Bracket 303-0216
- ⑥ Monitor 306-0203
- ⑦ “L” Bracket 303-0217
- ⑧ Add-on Bracket 303-0207
- ⑨ Anti-skid Handgrip 303-0212
- ⑩ Junction Box 306-0202
- ⑪ Battery Bracket 306-0201
- ⑫ Topside Handgrip 303-0213
- ⑬ Rail Monitor Bracket 303-0215
- ⑭ Aluminium Case



Kit A

Advanced configuration

Tel: 86 755 8311 4888 Fax: 86 755 8311 5333
 Http://www.movcam.com eMail: mov800@movcam.com

MOVcam®

Movcam Tech. Co.,Ltd

Floor 6 North, Antong Building, #207 Meihua Road, Futian District
 Shenzhen, Guangdong Province 518049, P.R. of China