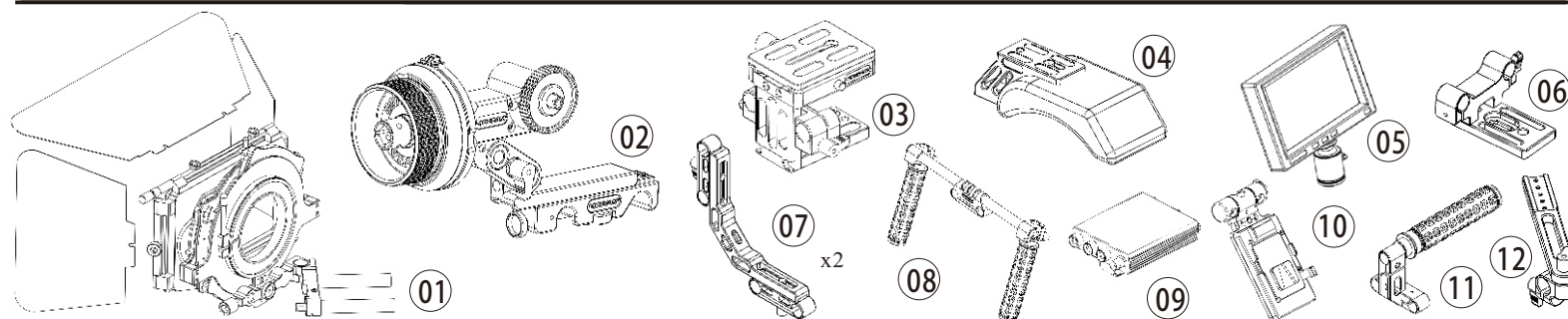


- ① Mattebox 301-0202
- ② Follow Focus 302-0204
- ③ Base Plate 303-0202
- ④ Shoulder Pad Unit 303-0201
- ⑤ Monitor 306-0204
- ⑥ “L” Bracket 303-0217
- ⑦ Add-on Bracket 303-0207
- ⑧ Anti-skid Handgrip 303-0212
- ⑨ Junction Box 306-0202
- ⑩ Battery Bracket 306-0201
- ⑪ Topside Handgrip 303-0213
- ⑫ Rail Monitor Bracket 303-0215



# Kit B

## Studio configuration

Tel: 86 755 8311 4888 Fax: 86 755 8311 5333  
 Http://www.movcam.com eMail: mov800@movcam.com

**MOV CAM**®

Movcam Tech. Co.,Ltd

Floor 6 North, Antong Building, #207 Meihua Road, Futian District  
 Shenzhen, Guangdong Province 518049, P.R. of China